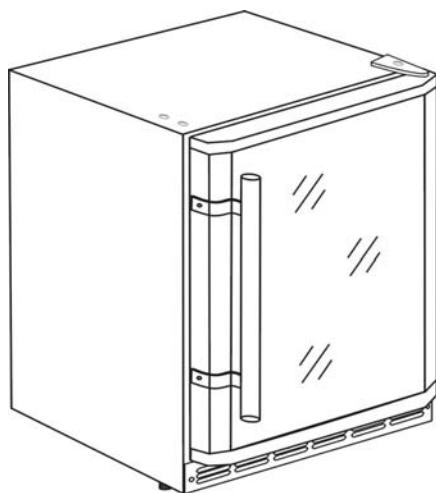


Wine Cooler

Beverage Cooler



Wine Cooler Model No. MCWC50DBT

Beverage Cooler Model No. MCBC580DBT

▪ Before Putting Into Use	2
▪ Important	2
▪ Installation	3
▪ Description of the Appliance	4
▪ Temperature Control	5
▪ Maintenance and Cleaning	6
▪ Trouble Shooting Guide	7
▪ Changing The Reversible Door	9
▪ Appliance Warranty	10

To ensure proper use of this appliance and your safety, please read the following instructions completely before operating this appliance.

Wine Cooler, Beverage Cooler

Thank you for purchasing this appliance.

We hope it will successfully serve your requirements for many years.

SAVE THESE INSTRUCTIONS

Before Putting Into Use	2
Important	2
Disposing of Worn Out Appliances	
Tips for Energy Savings	
Installation	3
Built-in Installation	
Free Standing Installation	
Description of the Appliance	4
Wine Cooler MCWC50DBT	
Beverage Cooler MCBC580DBT	
Temperature Control and Display	5
Wine Cooler MCWC50DBT	
Beverage Cooler MCBC580DBT	
Maintenance and Cleaning	6
Automatic Defrosting of the appliance	
Cleaning of the Appliance	
Replacing the Bulb	
Switch Off the Appliance When Not In Use	
Trouble-Shooting Guide	7
Changing The Reversible Door	9
Appliance Warranty	10

Before Putting Into Use

- Before connecting the appliance to electrical power supply, leave it to stand for about 4 hours, which will reduce the possibility of malfunctions in the cooling system due to transport handling.
- Clean the appliance thoroughly, especially in the interior (See Cleaning and Maintenance).
- In case the interior accessories are not correctly placed, rearrange them as described in chapter "Description of the Appliance".
- These instructions for use are intended for the user. They describe the appliance and correct operating procedures for safe use .

SAVE THESE INSTRUCTIONS:

Important

- If you have bought this appliance to replace an old one equipped with a door lock that cannot be opened from the inside (lock, bolt), make sure that the lock is removed, disabled or destroyed before discarding. This will make it impossible for children to accidentally lock themselves inside the appliance and suffocate.
- To avoid risk of child entrapment, leave the shelves in place so children can not easily climb inside even when the appliance is in routine use or not in use at home.
- The appliance must be properly connected to an electrical power supply. (See: Connection to Power Supply) .
- Do not use an extension cord.
- Always disconnect the appliance from the power supply before cleaning the appliance, or attempting repairs.

WARNING:

- Repairs should be performed by qualified service personnel only.
- Do not defrost the appliance with other electric appliances (for example a hair dryer) and never attempt to scrape/remove ice/frost with sharp objects.

- The cooling system of the appliance is filled with refrigerant and oil ,so when the appliance is damaged, handle it with care and dispose of it in compliance with environmental protection safeguards.
- The rating plate containing Model No and other technical data specific to this unit, is located either inside the appliance or outside on the rear wall.

Disposing of Worn Out Appliances

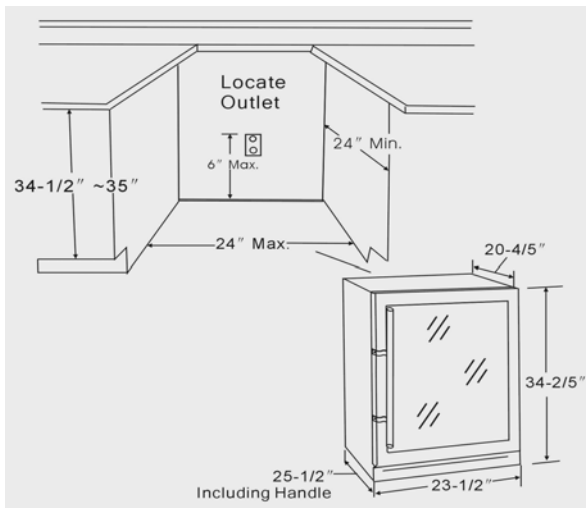
- **DANGER OR WARNING:** Risk of child entrapment. Before you throw away your old appliance:
 - Take off the doors
 - Leave the shelves in place so children may not easily climb inside.
- Refrigerant: All refrigeration products contain refrigerants, which under the guidelines of federal law must be removed before disposal of product. It is consumer's responsibility to comply with federal and local regulations when disposing of this product.
Be careful not to damage the tubes on the rear wall of the appliance (danger of pollution).

Tips for Energy Saving

- Try not to open the door too often, especially when the weather is hot and humid. Once you open the door , close it as soon as possible. This is especially important if you have an upright model .
- Every now and then check if the appliance is sufficiently ventilated (adequate air circulation behind the appliance) .
- Set the thermostat from higher to lower settings as soon as possible (depends on how loaded the appliance is, ambient temperatures etc.).
- If the gasket is damaged or the door seal is poor, energy consumption is substantially higher. To restore efficiency, replace the gasket.

Installation

BUILT-IN INSTALLATION



The cutout depth must be 24".

The cutout dimensions shown allows for a full door swing and access to the pull-out racks when installed as a built-in.

- The appliance can be installed freestanding.
- If installing between frameless cabinets, a 1/2" wide filler strip or side panel may be needed on hinge side. The filler strip will act as a spacer between the appliance case and adjacent cabinet door swing. The width of the opening must include the filler panels. **Note:** The door should protrude 1" beyond the surrounding cabinets.

Additional Specifications

- A 120 volt 60Hz., 15 or 20 amp power supply is required. An individual properly grounded branch circuit or circuit breaker is recommended. Install a properly grounded 3-prong electrical receptacle recessed into the back wall as shown. Electrical must be located on rear wall as shown. **Note: GFI** (ground fault interrupter) is not recommended. Consult a qualified electrician or serviceman if the wiring instruction are not clearly understood, or if doubt exists as to whether the appliance is properly grounded.

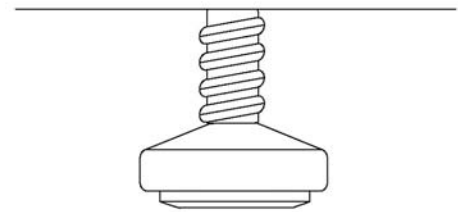
FREE STANDING INSTALLATION

Choose the location

- Be sure the front of the appliance is unobstructed for air circulation and proper access to the door.
- Do not install the appliance where the temperature will go below **55°F** or above **90°F**.
- Do not install where it will be subject to direct sunlight, heat or moisture.
- Allow sufficient space for door swing.
- **This unit is not designed for use in garage or any other outside installation.**

Adjustable Feet

Some appliances have adjustable feet on the front side; use them to level the appliance.



Note: If you want to change door swing, change it before installation.

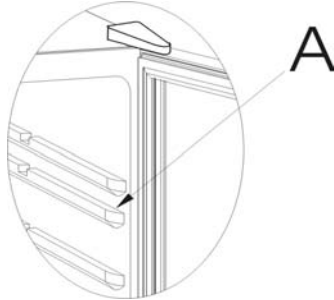
Description of the appliance

Wine Cooler MCWC50DBT

Engaged wine racks

- There are five wine racks of full depth on upper part of the cabinet to store wine bottles.

The second supporting guide (counted from top, see illustration marked "A") is not suitable for wine racks. It is for beverage shelves only.



- All the top five wine racks have tabs to engage the cabinet on both sides.
- Any of the wine racks can be removed to store larger bottles.

To remove a rack:

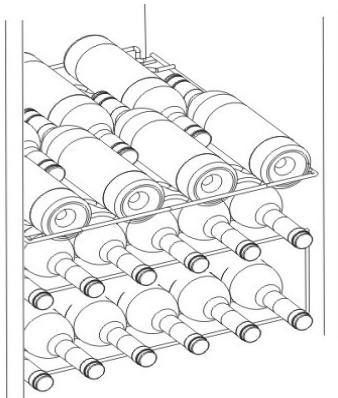
1. Remove all bottles from the rack.
2. Lift the rack upwards and then pull out.

To replace, put the sides of the rack back onto the supporting guides of the cabinet and push back until the rack tabs snap into place.

Note: Make sure the tabs on the rack are well engaged in place before loading any bottles.

Bottle arrangement

- The top five racks each holds 8 bottles with the necks alternating front to back.
- The bottom rack consists of two stories, each of which holds 6 bottles with the necks facing the front.



Interior Light

The appliance has an interior light (E14 socket, max. 15W) for easy interior visibility.

Beverage Cooler MCBC580DBT

Engaged beverage shelves

- There are three glass shelves to store beverages.
- All the shelves have tabs to engage the cabinet on both sides.
- These shelves can be placed on any supporting guide as you desire.
- Any of the beverage shelves can be removed to store larger beverages.

To remove a shelf:

1. Remove all beverages from the shelf.
2. Lift the shelf upwards and then pull out.

To replace, put the sides of the shelf back onto the supporting guides of the cabinet and push back until the shelf tabs snap into place.

Note: Make sure the tabs on the shelf are well engaged in place before loading any beverages.



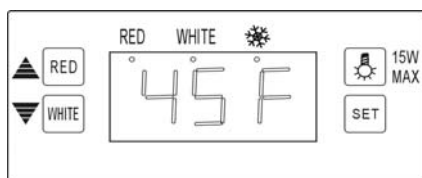
Interior Light

The appliance has an interior light (E14 socket, max. 15W) for easy interior visibility.

WE RESERVE THE RIGHT TO ALTER THE SPECIFICATIONS WITH NO EFFECT ON THE OPERATION OF THE APPLIANCE.

Temperature Control and Display

Wine Cooler MCWC50DBT



The temperature range of the wine cooler is intended for 43°F to 64°F (+/- 5°F).

Average temperature for red wine is 54°F to 61°F.

Average temperature for white wine is 43°F to 50°F.

The display usually shows the average temperature of the appliance at that moment.

PRESET WINE ZONES:

Press the [Red] or [White] pads to choose preset storage conditions for Red or White Wine. (The indicator 'RED' or 'WHITE' will light accordingly.) The programmed Temperature for red or white wine will be displayed for a few seconds.

MANUAL TEMPERATURE SETTING:

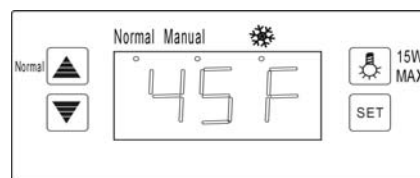
The temperature of the wine cooler can be set anywhere between 43°F to 64°F by the temperature up ▲ and temperature down ▼ pads as follows:

- (1) Press the [SET] pad until you hear a "beep" sound (approximately fifteen seconds).
- (2) Press the ▲ ▼ pads to increase or decrease the desired temperature in increments of one degree.
- (3) Press the [SET] pad to confirm your choice - if confirmation is not made within ten seconds the unit will go back to the previous setting.

NOTE:

The temperature display can be changed between Celsius and Fahrenheit by pressing and holding the ▲ pad for approximately 10 seconds.

Beverage Cooler MCBC580DBT



The temperature range of the beverage cooler is intended for 41°F to 54°F (+/- 5°F).

The display usually shows the average temperature of the appliance at that moment.

NORMAL TEMPERATURE SETTING:

Whenever the appliance is switched on, or the 'NORMAL' pad is pressed, the appliance runs on the 'NORMAL' setting of 45°F and the 'NORMAL' indicator lights.

MANUAL TEMPERATURE SETTING:

The temperature of the beverage cooler can be set anywhere between 41°F to 54°F by the temperature up ▲ and temperature down ▼ pads as follows:

- (1) Press the [SET] pad until you hear a "beep" (approximat
- (2) Press the ▲ ▼ pads to increase or decrease the desired temperature in increments of one degree.
- (3) Press the [SET] pad to confirm your choice - if confirmation is not made within ten seconds the unit will go back to the previous setting.

NOTE:

- The 'MANUAL' indicator lights when the appliance runs on 'MANUAL' setting.
- The temperature display can be changed between Celsius and Fahrenheit by pressing and holding the ▲ pad for approximately 10 seconds.

The following is applicable to both MCWC50DBT and MCBC580DBT:

To return the controller back to the Factory Setting, press and hold the ▼ pad, within one second press ▲ pad and continue holding both for approximately 10 seconds, until you hear a "beep" sound signaling that the controller is back to the original Factory Setting.

The ❄️ indicator indicates status of the refrigeration cycle as follows: (1) It flashes before the compressor starts; (2) It remains ON during the refrigeration cycle; (3) It remains OFF during the idle cycle.

To switch the interior light on/off, simply press the pad.

Maintenance and Cleaning

Automatic Defrosting of the Appliance

There is no need to defrost the appliance, because ice depositing on the inner back wall is defrosted automatically.

Ice build-up on the inner back wall during the compressor operation will defrost automatically (when the compressor has cycled off). Defrost water will drain out passing through the drain outlet in the inner back wall into a drain pan situated above the compressor, from where it evaporates.

Cleaning the Appliance

Disconnect the power supply before cleaning the appliance.

Do not use coarse or aggressive cleaning agents as you may damage the surface.

Clean the exterior with water and detergent.

Remove the detachable accessories in the interior of the appliance and clean with water and liquid detergent. Plastic parts cannot be washed in dishwashers.

Wash the interior of the appliance with lukewarm water, adding one or two spoonfuls of vinegar. After cleaning, connect the appliance to power supply and reload it.

Correct Steps to Change Bulb

1. Pull out the power plug from wall socket. Use a screw driver to loose the screw that holds the bulb protective cover and then remove the cover.
2. Screw out the old bulb counter-clockwise.
3. Screw on a new bulb (E14, max. 15W) clockwise.
4. Replace the bulb protective cover.

Very important: Be sure to disconnect power supply before you change bulb.

Switch Off the Appliance When Not In Use

If you do not intend to use the appliance for long periods of time, disconnect the power supply, take out the contents and defrost and clean the appliance. Leave the door slightly open.

This unit is not designed for outside installations such as garage or porch.

Trouble-Shooting Guide

- Sometimes you may come across minor problems that in most cases do not require a service call and can be easily eliminated. The problem may have resulted from improper handling and / or installation of the appliance. Please refer to the below trouble-shooting guide to assist you in identifying the possible cause and solution to your problem. Should the problem still persist after completing these checkpoints, please contact our Customer Support Dept. by visiting our website at www.magicchef-ewave.com or at (888)-775-0202.

The Appliance Fails to Operate After Connecting to Electrical Power Supply

- Check the power cord is properly connected.
- Check the power supply in the electrical outlet. (blown fuse / circuit breaker) .

Continuous Operation of the Cooling System

- The door is frequently opened or left open for too long.
- The door is not properly closed (the door may sag, the gasket may be contaminated or damaged).
- Perhaps you may have overloaded the appliance.
- The reason may be inadequate ventilation of the compressor (assure adequate air circulation).

Ice Formation on the Inner Rear Wall

As long as the defrost water runs to the channel and through the outlet to the drain pan on the compressor, automatic defrosting of the appliance is assured.

In case the ice formation on the inner back wall is increased (1/8-1/5in.), ice should be manually defrosted.

Disconnect the power supply, leave the door open and defrost the ice. Never use electric devices for defrosting and do not scrape the ice or frost layer with sharp objects.

After defrosting is complete, close the door, connect the power supply and set the temperature as desired. The cause of increased ice formation may be one of the following:

- the door does not seal well (clean the gasket if it is contaminated, or replace it if it is damaged);
- the door is frequently opened or left too long;
- the content stored in the appliance was warm;
- the contents are touching the inner back wall.

Water is Leaking From the Appliance

If the discharge water outlet is clogged, or the defrost water drips over the channel, water will leak from the appliance.

- . Clean the clogged outlet.
- . Manually defrost the increased ice layer (see ice Formation on the Inner rear Wall).

Check the accessories on the interior of the appliance, they should be placed correctly in their positions; also check bottles, tins, and other vessels are not touching each other causing rattling and/or vibrations.

Noise

Cooling in this appliance is made possible by cooling the system using a compressor, which will produce certain noise levels. How noisy the appliance is depends on where it is placed, how it is used and how old the appliance is.

- . **During the operation** of the compressor the noise of the liquid is heard and when the compressor is not operating, the refrigerant flow is heard. This is a normal condition and it has no influence whatsoever on the lifetime of the appliance.
- . **After starting the appliance**, the operation of the compressor and the refrigerant flow may be louder, which does not mean that something is wrong with the appliance and it has no influence on the lifetime of the appliance. Gradually the noise will reduce.
- . Sometimes **unusual and louder** noise may be heard. This noise is often a consequence of inadequate installation.
 - The appliance must be level and installed on a firm solid base/floor.
 - The appliance should not touch the wall or kitchen units standing next to it.

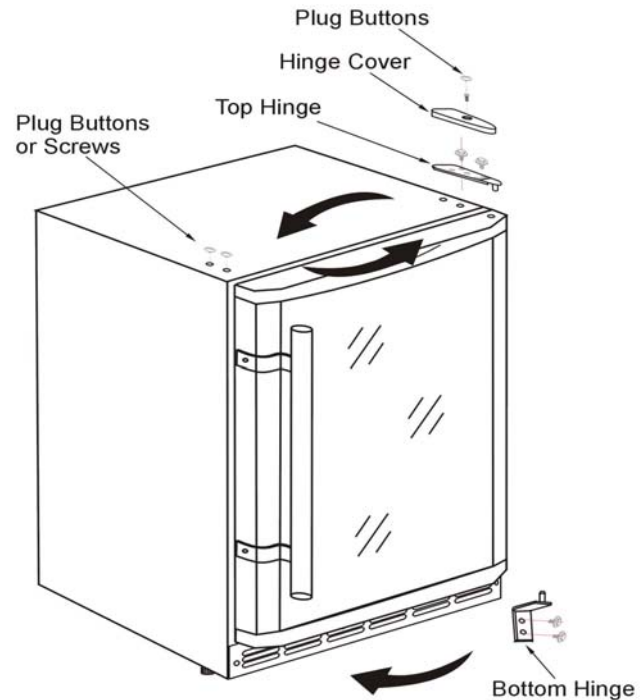
Changing The Reversible Door

CAUTION: To avoid personal injury to yourself and/or property, we recommend someone assist you during the door reversal process.

1. Remove the top hinge assembly and keep them for later use.
2. Remove the bottom hinge assembly and keep them for later use.
3. Remove the plug buttons from the upper left holes and transfer them to the uncovered holes at the right side. Be sure to press the plug buttons firmly into the holes.
4. Re-install the top hinge assembly previously removed in step 1 on the opposite side.
5. Re-install the bottom hinge assembly previously removed in step 2 on the opposite side.
6. Re-install the door assembly with the door handle on the opposite side (Rotating the door assembly for 180°).
7. Make sure the door assembly is properly aligned on the cabinet before tightening the screws.

The process is now complete.

Note: If desired, change the door swing before installation.





Appliance Warranty

MC Appliance Corp. warrants each new Appliance to be free from defects in material and workmanship and agrees to remedy any such defect or to furnish a new part(s) (at the company's option) for any part(s) of the unit that has failed during the warranty period. Parts and labor expenses are covered on this unit for a period of one year after the date of purchase. In addition MC Appliance Corp. warrants the compressor (parts only) to be free from defects in material and workmanship for a period of 5 years. The consumer is responsible for all labor and transportation expenses related to the diagnosis and replacement of the compressor after the initial one- year warranty expires. If in the event the unit requires replacement or refund under the terms of this warranty the consumer is responsible for all transportation expenses to return the unit to our factory prior to receiving a replacement unit or refund. **A copy of the dated sales receipt / invoice is required to receive warranty service.**

This warranty covers appliances in use within the continental United States, Puerto Rico and Hawaii. The warranty does not cover the following:

- . Damages due to shipping damage or improper installation.
- . Damages due to misuse or abuse.
- . Content losses due to failure of the unit.
- . Inside components such as door panels, door shelves, racks, light bulbs, etc.
- . Punctures to the evaporator system due to improper defrosting of the unit.
- . Repairs performed by unauthorized service agents.
- . Service calls that do not involve defects in material and workmanship such as instruction on proper use of the product, door reversal or improper installation.
- . Replacement or resetting of house fuses or circuit breakers.
- . Failure of this product if used for other than its intended purpose.
- . Disposal costs of failed units not returned to our factory.
- . Any delivery costs incurred as the result of a unit that fails to perform as specified.
- . The consumer is responsible for a \$75.00 delivery charge for all replacement units provided under warranty.

This warranty is in lieu of all warranties expressed or implied and no representative or person is authorized to assume for us any other liability in connection with the sale of this product. Under no circumstances is the consumer permitted to return this unit to the factory without prior written consent from MC Appliance Corp.

Model	Parts	Labor	Compressor (Part Only)	Type of Service
MCWC50DBT	One-Year	One-Year	Five Years	In Home
MCBC580DBT	One-Year	One-Year	Five Years	In Home

For Service or Assistance please call 888 775-0202 or visit us on the web at www.magicchef-ewave.com. To avoid delays when obtaining warranty service, please utilize our warranty request form available on our website